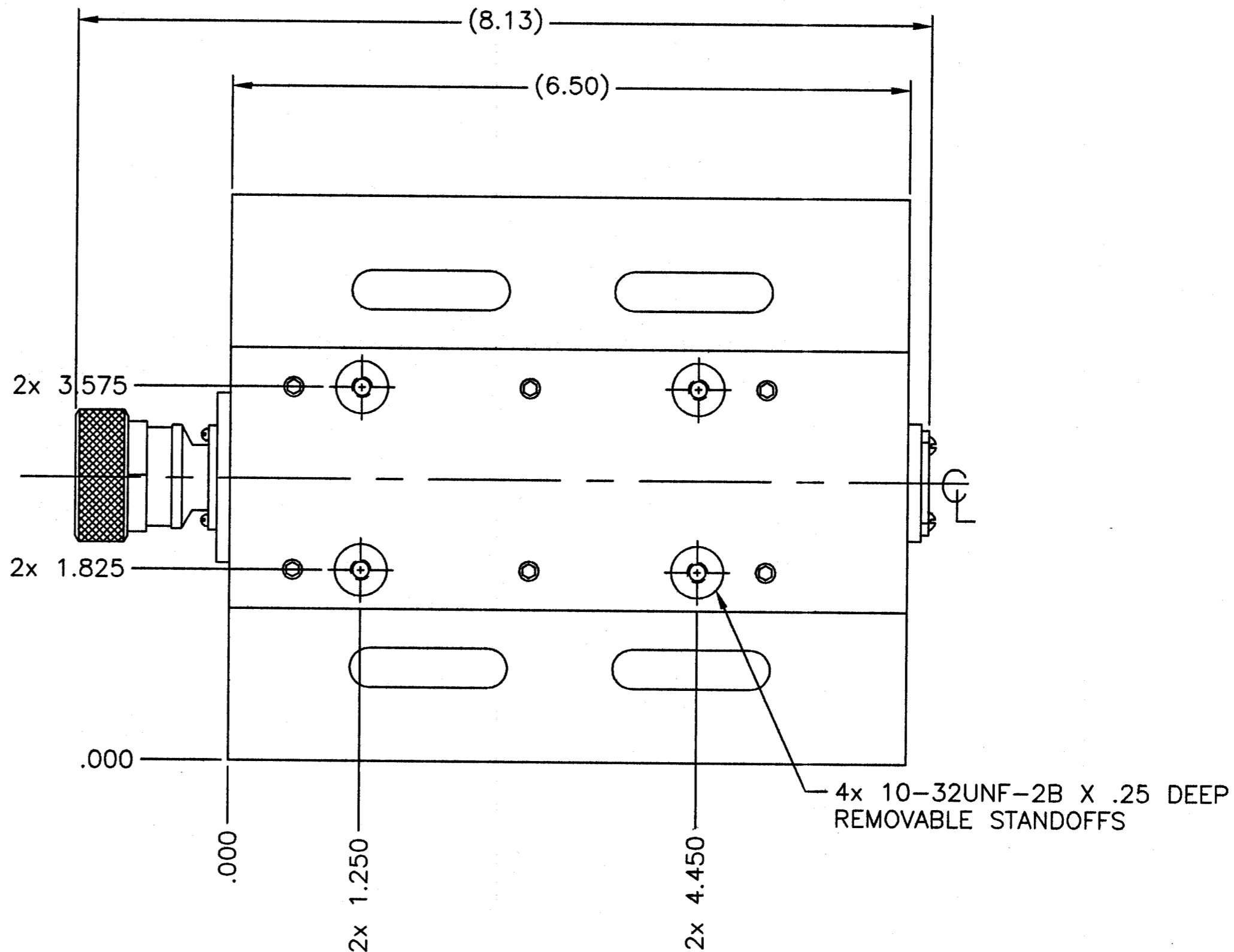
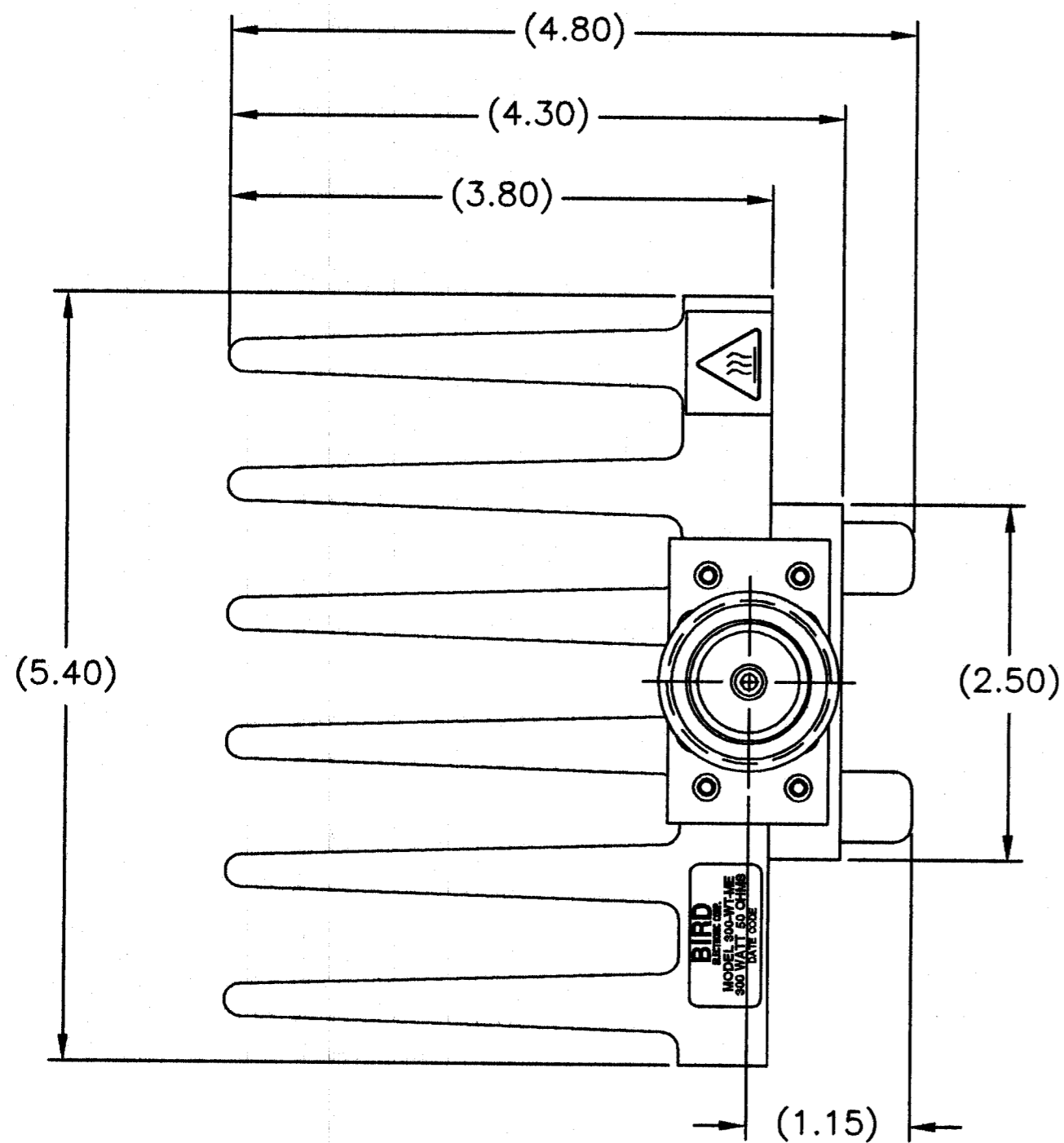


SPECIFICATIONS:

IMPEDANCE: 50 OHMS NOMINAL
 FREQUENCY RANGE: DC TO 2.4GHz
 VSWR: DC TO 1GHz AT 1.10:1 MAX.
 1GHz TO 2.4 GHz AT 1.25:1 MAX.
 POWER RATING: 300 WATTS AVG. AT 25°C AMBIENT
 COOLING FIN: ALUMINUM, BLACK ANODIZED
 COVER: ALUMINUM, BLACK ANODIZED
 CONNECTOR: IEC 7/16 MALE, TRI-ALLOY PLATED
 OPERATING POSITION: ANY POSITION EXCEPT MOUNTING SURFACE UP
 NOMINAL SIZE: APPROX. 8.13" L X 5.400" W X 4.800" H
 WEIGHT: APPROX. 4.7 LBS

REVISIONS		DWG. NO.	300-WT-ME	SHEET	REV
ZONE	REV	DESCRIPTION	DATE	APPROVED	
A		CONVERT TO BEC FORMAT	DMR 5-28-03	ARJ	



DIMENSIONS HEREON ARE FOR CUSTOMER CONVENIENCE AND REFERENCE ONLY. TOLERANCE TO BE APPLIED ONLY WHERE INDIVIDUALLY STATED ON THE RESPECTIVE DIMENSION. -DO NOT SCALE DRAWING-

UNLESS OTHERWISE SPECIFIED DIMENSIONS ARE IN INCHES TOLERANCES ARE:		MILLIMETERS X= ±.4 XX= ±.12		THIS DRAWING IS THE PROPERTY OF THE BIRD ELECTRONIC CORPORATION. THE DESIGNS AND SPECIFICATIONS DISCLOSED HEREON ARE PROPRIETARY AND SHALL NOT BE REPRODUCED, NOR COPIED, NOR USED AS THE BASIS FOR THE MANUFACTURE OR SALE OF APPARATUS OR DEVICES WITHOUT THEIR EXPRESS WRITTEN CONSENT.			
FRACTIONS ± 1/64	DECIMALS XX= ±.010 XXX= ±.005	ANGLES ± 30'	DO NOT SCALE DRAWING		APPROVALS DRAWN: D.M.RINK CHECKED: APPROVED: <i>ARJ</i>	DATE 5-28-03	TITLE TERMINATION, CONVECTION COOLED IEC 7/16 MALE, 300W
MATERIAL		FINISH		SIZE FSCM NO. C 70998	DWG. NO. 300-WT-ME	SHEET 1 OF 1	REV A
				SCALE 1:1 AUTOCAD	COMB CODE LD1		